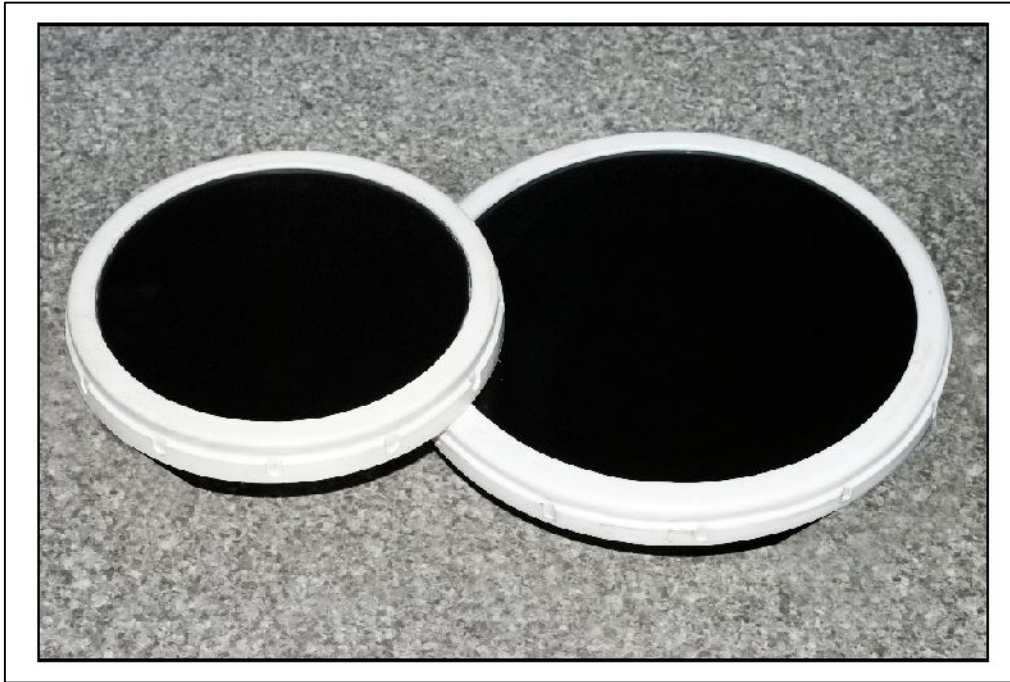
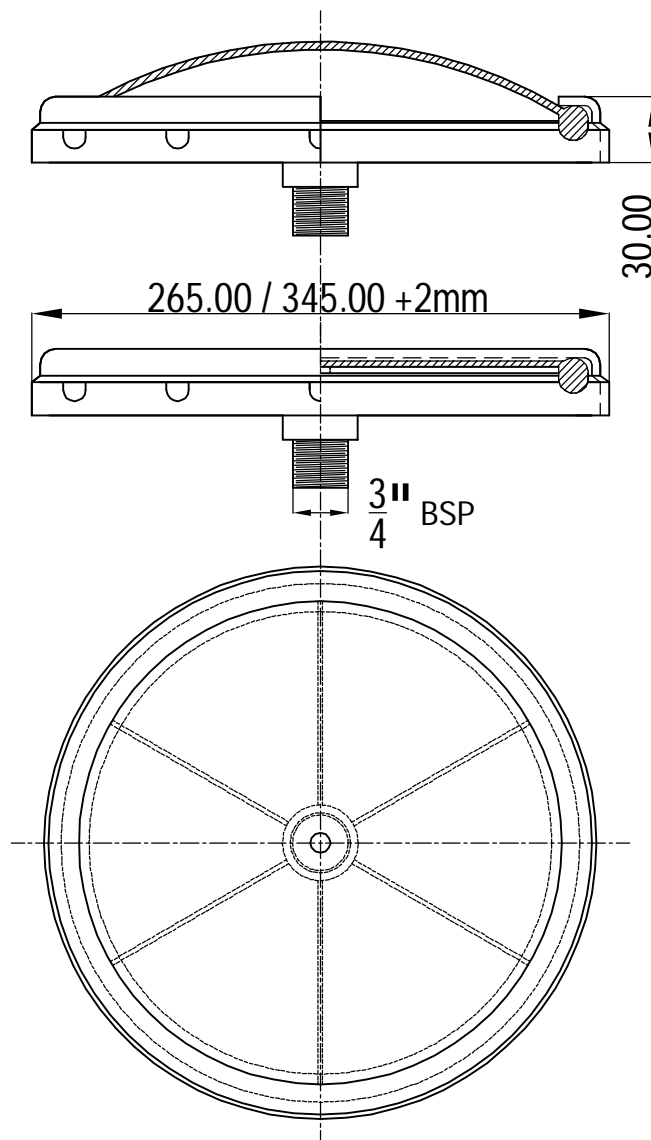


FINE BUBBLE PROFLEX MEMBRANE DISC DIFFUSER

Fine Bubble PROFLEX membrane DISC diffusers are compression moulded and made with less than 10% extractable oils to ensure exceptional quality, strength and longer product life. The base and retaining ring are designed to seal tightly and made of polypropylene having properties of higher temperature resistance and greater ductility.

The membrane has an integral O-ring seal which is tightly compressed by the retaining ring keeps water out and air inside. PROFLEX disc diffusers are precisely engineered to suit the specifications of various clients and offer a perfect balance of high oxygen transfer and modest headloss with small bubble size. Our membranes are of standard sizes and priced competitively.

DISC DIFFUSER



FINE BUBBLE PROFLEX MEMBRANE DISC DIFFUSER - SPECIFICATION

S.No	DESCRIPTION	TPE-225	TPE-300
1	Rubber membrane material	EPDM/Silicon	EPDM/Silicon
2	Aeration surface area	0.0397m ²	0.068 m ²
3	Bubble diameter	1-3mm	1 - 3 mm
4	Membrane service life	> 5 years	> 5 year
5	Standard aeration rate	3.5 m ³ / h	6 m ³ / h
6	Aeration scope	1 - 6 m ³ / h	1 - 8 m ³ / h
7	Operating temperature	80°C	80°C
8	Max/min interval, c/c	1.5/0.4 m	1.5/0.4 m
9	Diffuser weight	0.590 Kg	0.860 Kg



TECPRO AERATION PRODUCTS PVT. LTD.
an unit of
TECPRO ENERGY SYSTEMS.

WORKS : SEZ, Seekanankuppam Village,
 Cheyyur Taluk, Kanchipuram District,
 Tamilnadu, india

OFFICE : No: 21 e, North High court Colony,
 Villivakkam, Chennai - 600 049.
 Tamilnadu, india.

www .tecproenergysystems.com, www.diffuseraerationsystem.com
 email:tecpro@tecproenergysystem.com, sales@tecproind.com,
 044-26171621, 09382667076, 09500029191, 09500039191